

INDEX

Contents	Page No.
2.1 Filter Housings	2
2.2 Filter Cartridges	2
2.3 G A C Activated Carbon Cartridge	2
2.4 C A C Activated Carbon Block Cartridge	2
3.1 Polypropylene Sediment Cartridge	3
3.2 Polyester Cellulose Pleated Cartridge Filters	3
4.1 Ceramic Cartridges	4
4.2 String Wound Cartridge Filters	4-5
5.1 In-Line Filter Cartridge	5
5.2 Reverse Osmosis Membrane	5
6.1 Flow Meter with Valve	6
7.1 Pressure Gauge	7
7.2 U.V. System	7
8.1 Water Quality Guidelines for U.V. System	8
9.1 Media Vessels	9

PRODUCT INFORMATION & APPLICATIONS

2.1 Filter Housings:

The size and type of Filter Housing required will depend on the application. For normal domestic water filtration a standard 10" housing is usually suitable with a Blue or Clear Bowl, for whole house filtration a 10" or 20" BIG Blue Housing is normally used.

A more robust Filter Housing is used for commercial and /or Industrial applications such as the 10" commercial Housings, Housings with brass inserts for the port thread, or for High Temperature filtration the Stainless Steel Housings.

For Free Advise on selection of Cartridge and Filter Housing types please call 01728-664184

2.2 Filter Cartridges:

Select the correct Filter Cartridge for your application from our range of GAC (Granulated Activated Coconut shell), Carbon Block Cartridge (Coconut Shell), Polypropylene Sediment Cartridge (PP), Pleated Sediment Cartridges, String Wound Cartridges, Ceramic Cartridges, Ceramic & Carbon combination Cartridge.

2.3 GAC Activated Carbon Cartridge

Application :

Water Treatment, Fine chemicals, Electronic, Biotechnology, Food & Beverage, General Industrial, Pharmaceutical & Cosmetics, Chemicals and Petrochemicals.

Heavy Metal reduction, Chlorine Reduction, Taste reduction, Odour reduction.

Available in 10" x 2.5" for standard Filter Housings, 10" x 4.5" and 20" x 4.5" for Big Blue Housings.

2.4 G.A.C. Activated Carbon Block Cartridges

Application:

Water Treatment, Fine chemicals, Electronic, Biotechnology, Food & Beverage, General Industrial, Pharmaceutical & Cosmetics, Chemicals and Petrochemicals.

Heavy Metal reduction, Chlorine Reduction, Taste reduction, Odour reduction.

Available in 10" x 2.5" for standard Filter Housings, 10" x 4.5" and 20" x 4.5" for Big Blue Housings.- 5 and 10 micron ratings.

3.1 Polypropylene Sediment Cartridges

Applications

Used for pre-filtration or end-line filtration – and for Reverse Osmosis units.

Water Treatment, Fine chemicals, Electronic, Biotechnology, Food & Beverage, General Industrial, Pharmaceutical & Cosmetics, Chemicals and Petrochemicals, Coatings and Resins, Plating (Galvanic).

Available for standard 10” and 20” Big Blue Housings in 1,5,10,20,25 & 50 Micron Ratings.

3.2 Polyester Cellulose Pleated Cartridge Filters

Application: General Water and R.O. treatment
Residential and commercial water treatment
Acid-base liquid in chemical processing
Industrial chemicals and organic solvents
Processing of sterile and ultra pure water
Industrial water and plating liquid.

Features & Benefits:

Pleated design increases filtration surface area
Pleated design maximises dirt-holding capacity
Designed for general water filtration purposes
Polyester Cellulose media is bacteria and chemical resistant
Versatile and re-useable.
Low pressure drop, high flow rate.

Specifications:

Material of construction: Polyester Cellulose
Core: Polypropylene
End Caps: Vinyl plastisol

Recommended Operating Conditions:
Maximum differential pressure: 4.0 bar at 20deg.C
Recommended change out 1-1.5 bar
Maximum Temperature: 52 deg.C

Available in : 5,10,20 and 50 micron ratings.
For 10” and 20” Filter Housings.

4.1 CERAMIC CARTRIDGES

Applications:

Product Code 10CE/CTO3 – combination Ceramic/Carbon

Product Code: 10CE2 – without carbon element

Used for potable water with absolute filtration to 0.5 microns, removes harmful bacterial and suspended solids.

Benefits:

Re-useable

The combination ceramic/carbon filter removes:

Algae, Rust, Sediments, and suspended solids 99.9%,

Inhibits growth and reduces harmful bacteria by a rate better than 99.9% ,

E.coli, Cholera, Shigella, Salmonella, Klebsiella.

Reduces Cryptosporidium by 99.999%, Turbidity Reduction 99.9%,

Reduces Giardia and other cysts by 99.999%.

Removes Bad Taste, Colour & Chlorine.

For Use with 10” Filter Housing

Flow Rate at 3 bar 8.1 l/min.

4.2 String Wound Filter Cartridge

General:

Our string wound filter cartridges are structured loose outer layers and tight inner layers which can offer true depth filtration for high dirt holding capacity and extremely low media migration to ensure temperature and chemical compatibility. The main advantage of the string wound filter cartridge is its exceptionally high structural strength, therefore, they can withstand severe operating conditions.

Features & Benefits

- A. String wound filter cartridges is used in pre-filter application
- B. This enhanced design provides improved dirt-holding capacity over standard wound cartridge
- C. Provides long life-cycle
- D. Materials are FDA listed as acceptable for potable and edible;
- E. Normal micron rating 1-150µm

Applications

- A. Cotton: Organic solvent, water, oil, alkalinity solvent ,beverage pharmaceuticals
- B. Polypropylene: Water, dilute acids, oxidizing agents, plating solution
- C. Plating ,Chemicals and Solvents

Specifications

Material of Construction

- A. Yarn: **Polypropylene, or cotton;**
- B. Core :**Polypropylene or stainless steel**

Recommended Operating Conditions

- A. Max. Differential pressure: 4.5bar at 25°C
- B. Recommended change out:1- 1.5bar
- C. Maximum temperature: **PP yarn + PP core (80°C)**
Cotton yarn + SS Core (180°C)

Available in 1, 5 , 10 microns

Product Codes:

SWPP- PP – Polypropylene with Polypropylene Core

SW-PP-SS – Polypropylene with Stainless Steel Core

SW-C- PP – Cotton with Polypropylene Core

SW-C-SS – Cotton with Stainless Steel Core

For 10” Filter Housings.

5.1 In-Line Filter Cartridge

Product Code: GACQF – ¼” Quick Fit Connections

GACIL – ¼” NPT Female connections

Applications: For Pre and Post Reverse Osmosis and Ice-maker filtration and other filtration requirements.

Coconut shell activated carbon: Heavy Metal, Chlorine, Taste & Odour Removal.

¼” Quick Fit connections or ¼” NPT

Maximum Flow Rate: 0.75 GPM – 2.8 l/m

Maximum Pressure: 125 PSI – 8 Bar

Maximum Temperature: 100 deg. F – 38 deg. C

Service Life: 1500 Gal – 5700 L

5.2 Reverse Osmosis Membrane

Product Code: 50ROM and 75 ROM

Application:

Reverse Osmosis membrane for use with R.O. Unit available in 50 GPD and 75 GPD sizes.

6.1 FLOW METERS WITH VALVE

Panel Mount Flow Meters with Valve

Specifications:

Working Pressure:< 1.5MPa

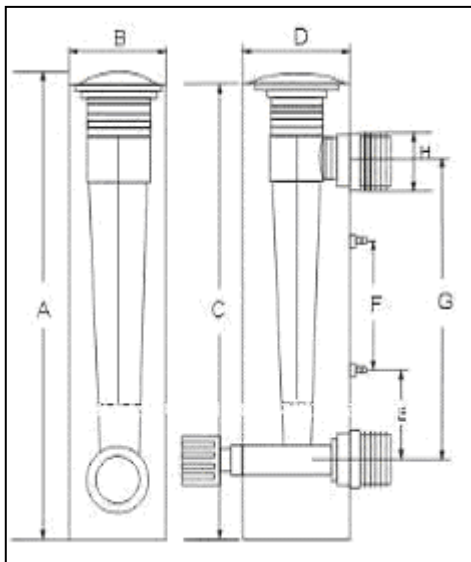
Operating Temperature:0-90 C

Brass Valve

ABS Fittings

S/S Float

Silicone Seals



MODEL	DIMENSIONS (mm)							
	A	B	C	D	E	F	G	H
FM1-15	176.5	31	171	34	26.5	76	127	26
FM10-35	232	44	225	45	33	100	160.5	35.5
FM40	296	70	281	82.5	50	100	189.5	62.5

MODEL	Measure Range			THREAD	ACCURACY
	LIQUID	GAS			
	GPM	LPM	Nm ³ /h		
FM1 FM2 FM5	0.2 - 1 0.2 - 2 0.5 - 5	1 - 4 1 - 7 2 - 18	0.3 - 3 0.6 - 6 1.6 - 16	1/2 BSPT	± 4%
FM10 FM15 FM20 FM30 FM35	1 - 10 2 - 15 2 - 20 5 - 30 15 - 35	May-35 10 - 60 10 - 70 20-110 50-150	2.5 - 25 6 - 60 10 - 100 16 - 160 30 - 300	1" BSPT	
FM40	10 - 50	50 - 190		2" BSPT	

7.1 Pressure Gauge



Application : Used for measuring Pressure on Reverse Osmosis Units and Pressure Vessels etc.

Specifications:

Stainless Steel Case with bottom or back mount connection.

Range: 0-100 psi.

7.2 U.V. Systems

U.V. Disinfection How it Works

The use of U.V. Light for disinfection has been used for many years.

Ultra Violet energy at 254nm wavelength is radiated by special lamps. The shortwave ultraviolet energy is lethal to micro-organisms. The U.V. rays penetrates the cell membrane and destroys the DNA inside the cells, effectively destroying the organism and it's ability to reproduce.

U.V. disinfection is very fast, requires no additional chemicals or additives and cannot be overdosed.

Applications

Wells - Homes - Water Systems - Food Service - Water Coolers – Aquaculture – In conjunction with R. O. Systems

Features & Benefits

Disinfection without chemicals

Effective disinfection for chlorine resistant bacteria

Stainless 304 Stainless Steel Chamber

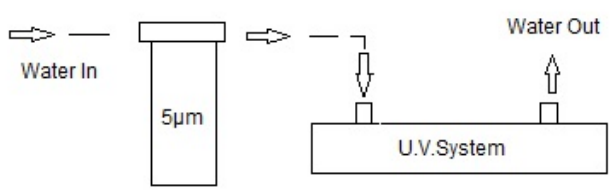
Easy Lamp replacement

8.1 Water Quality Guidelines for U.V.

- Total Iron: less than 0.3 mg/l
- Hydrogen Sulphide less than 0.05 mg/l
- Turbidity less than 10mg/l
- Hardness less than 7 grains
- U.V. Transmittance greater than 90%

Pre-Treatment

A sediment filter is normally fitted immediately before the U.V. unit.

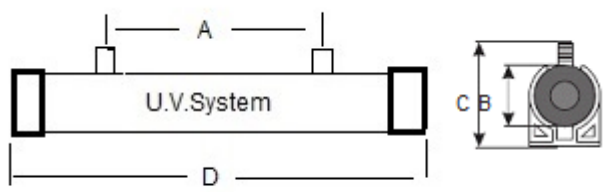


This sediment filter prevents particles getting through to the U.V. behind which bacteria can hide and thus not be killed. For a domestic application a 10” filter housing with a 5 or 10 micron filter is normally used.

Specifications

Model	A	B	C	D	E
UV-14	255	50.8	90	355	½” BSP Male
UV-18	335	50.8	90	435	½” BSP Male
UV-21	470	50.8	90	575	½” BSP Male
UV-29	605	50.8	90	715	¾” BSP Male
UV-40	835	50.8	90	945	1” BSP Male

A – Distance between inlet and outlet
 D – Overall Length



9.1 Media Vessels

Fiberglass Reinforced Plastic (FRP) Tank

- A. Shell Layer: Fiber Glass
- B. Liner Material: PE
- C. MAX. Test Pressure: 150psi
- D. MAX. Working Pressure: 100psi
- E. Temperature Range: 1-49°C
- F. MAX. Vacuum: 5"Hg(127mm Hg)



Applications:

Used as containment vessel for filtration media –Softeners etc.

CODE	Dimensions Dia. x H	Liner Material	Top Opening	Volume
MV1054	250 x 1400 mm	PE	2.5"	0.109 CBM
MV1465	350 x 1650 mm	PE	2.5"	0.216 CBM
MV1665	400 x 1650 mm	PE	2.5"	0.300 CBM